



95 & 88 series Folding door instruction



Catalogue

02~06

Assemble the outer frame

07~12

Install the panels

13~21

Overall installation instructions

Prepare required tools, such as a level, measuring tape, electric drill, screwdriver, and wrench

Tool preparation



Scissors



Electric drill



Percussion drill



Infrared level



Glue gun



Hex key



screwdriver



Tape measure



Hand mill



pliers



Hairdryer



Air cushion



Plastic hammer



Carpenter's chisel



Safety rope



Utility knife

Folding door



A-A: The upper left rail and the vertical border are spliced

B-B: The upper right rail and the vertical border are spliced

C-C: The bottom left rail and the vertical border are spliced

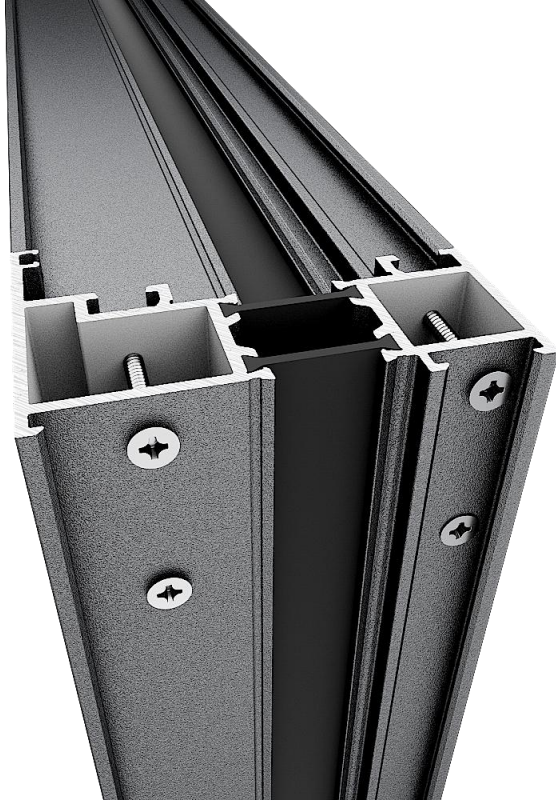
D-D: The bottom right rail and the vertical border are spliced

- ① adjustable hinges
- ② adjustable top/bottom wheels
- ③ door handle
- ④ lock with keys

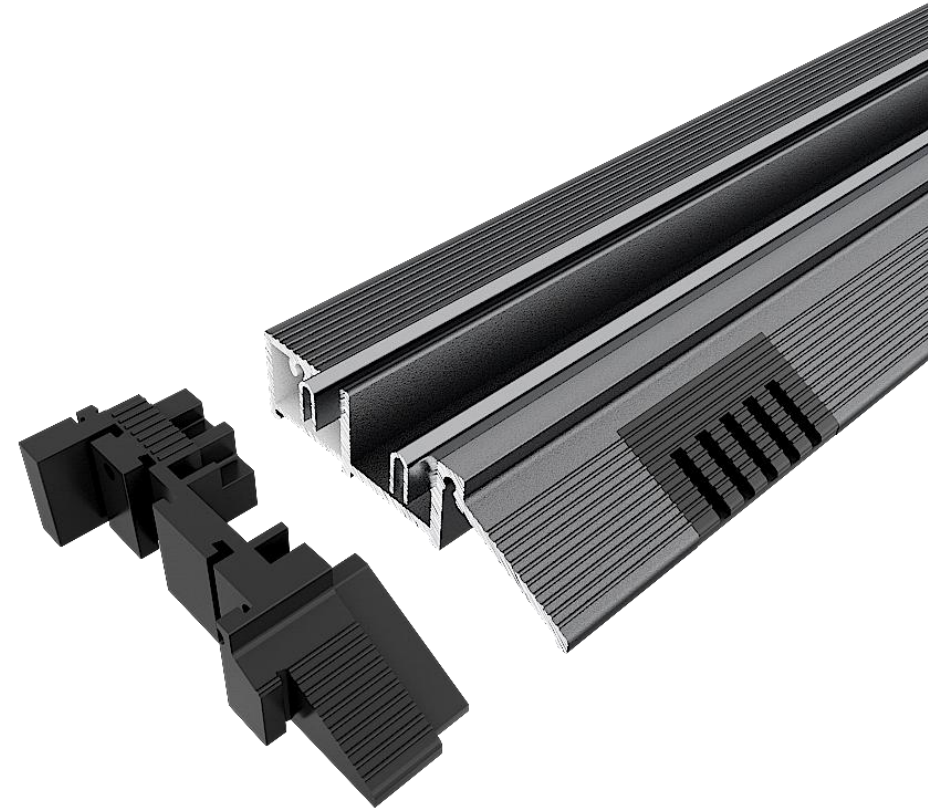


Assemble the outer frame

Assemble the outer frame 1



Step 1: The vertical frame and upper rail are assembled by using 4*60 self-tapping screws



Step 2: The lower rail plastic component and the lower rail are assembled

Assemble the outer frame



Step 3: Align the lower rail with the border

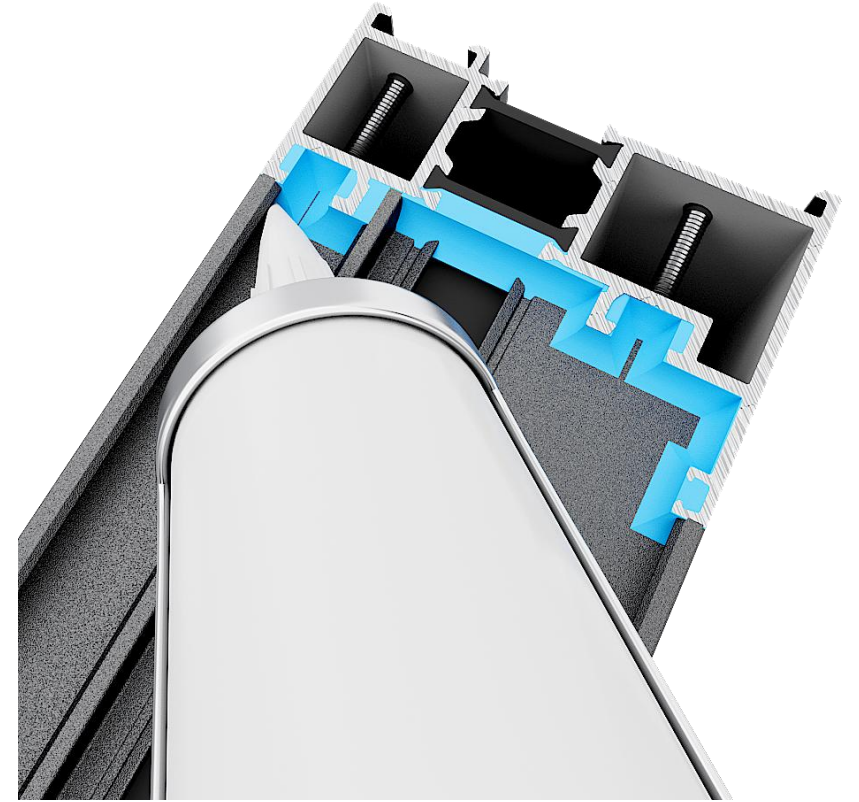


Step 4: Insert the lower rail and plastic assembly into the frame notch

Assemble the outer frame

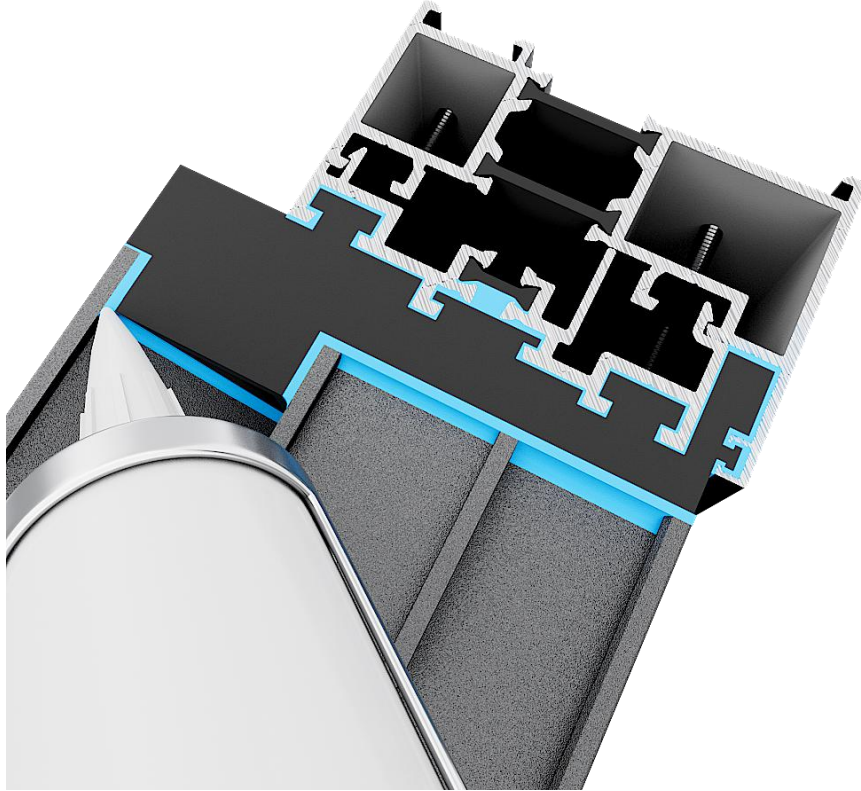


Step 5: Use 4*60 self-tapping screws to assemble and fix the frame and the lower rail.



Step 6: Inject black structural glue into the joint gap between the upper rail and the frame to seal it

Assemble the outer frame



Step 7: Inject black structural glue into the joint gap between the lower rail and the frame to seal it



Step 8: The assembly steps are completed

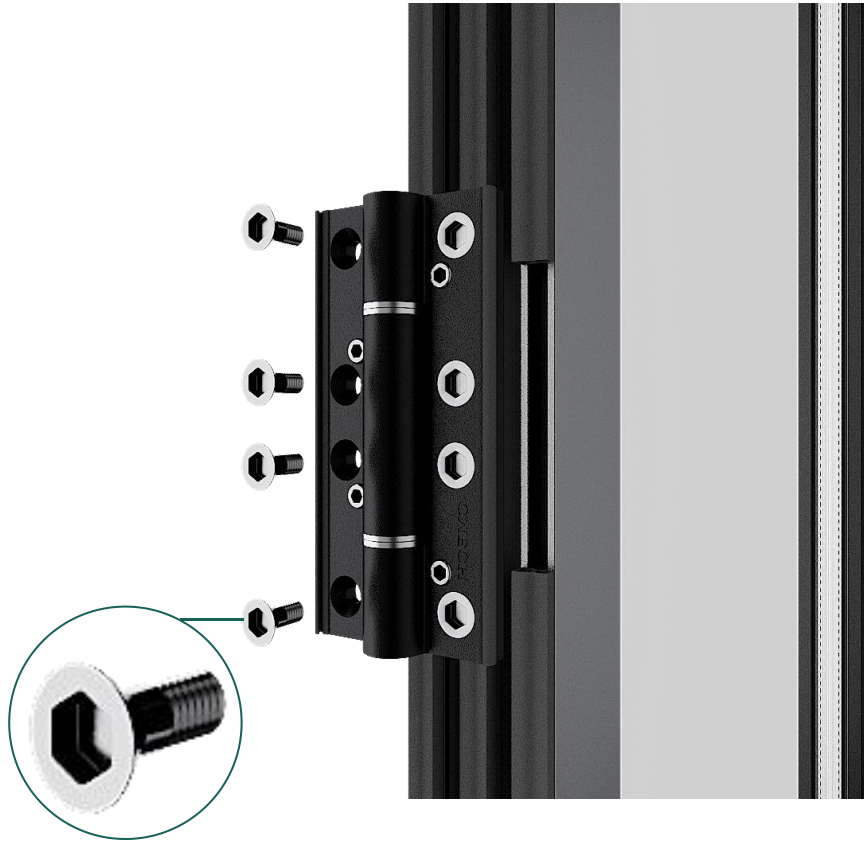


Install the panels

Hardwares for the door panel



Install the panels



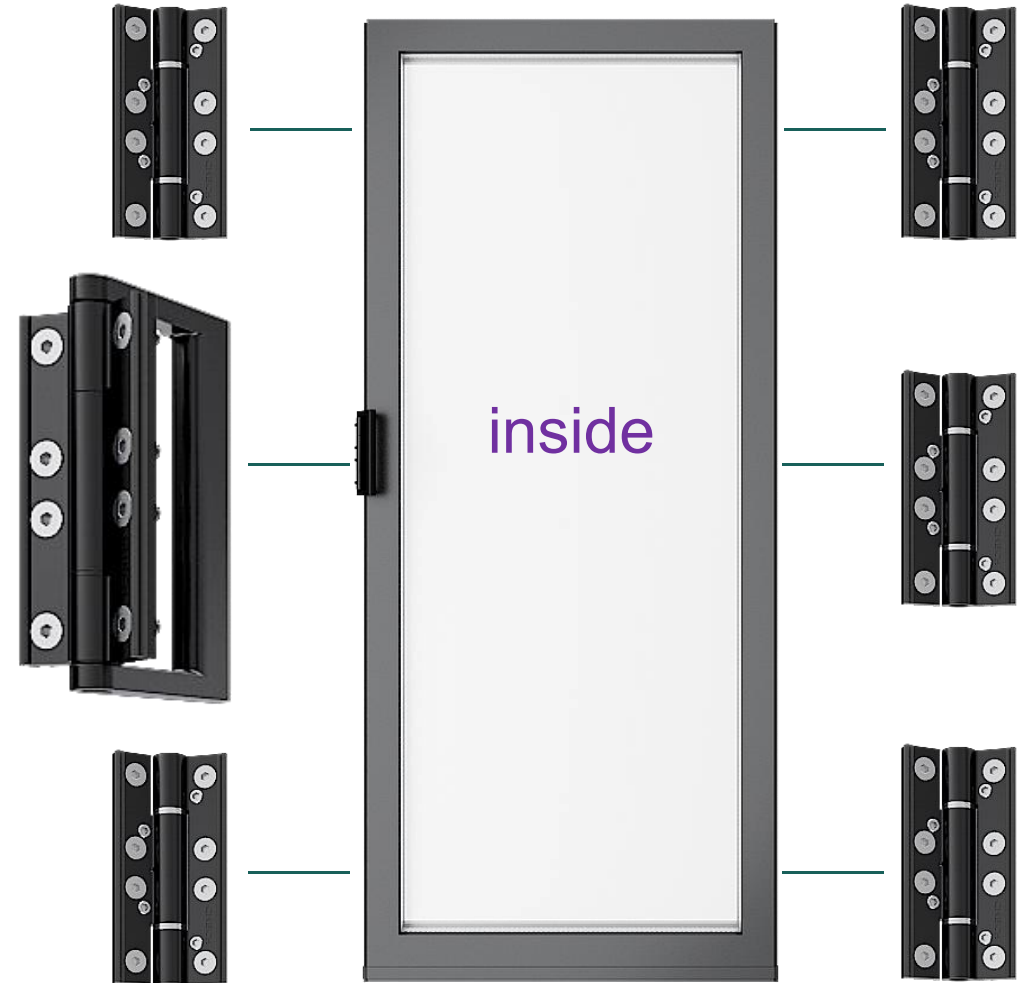
Step 1: Align the hinge with the door leaf installation hole and fix it with hexagonal screws



Step 2: The door hinges need to be fully screwed

Install the panels

Step 3: Align the mounting holes and secure with hexagonal screws



Step 4: Align the handle hinge with the mounting hole and fix it with hexagonal screws

Install the panels



Step 5: Align the lower guide wheel with the mounting hole and fix it with hexagonal screws



Step 6: finished the lower guide wheel installation

Install the panels



Step 7: Align the upper guide wheel with the mounting hole and fix it with hexagonal screws



Step 8: finished the top guide wheel installation

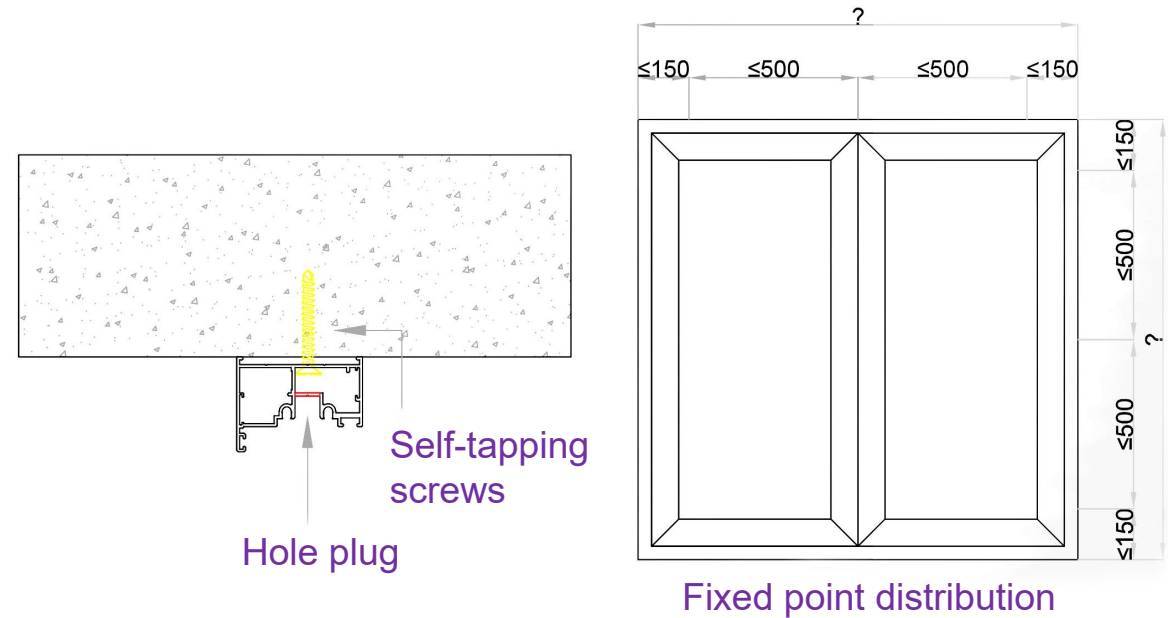


Overall installation instructions

Overall installation instructions



Step 1: Use a level to measure the horizontal line, then install the frame on the wall



Step 2: follow the picture

Overall installation instructions



Step 3: Align the hinge to the installation hole and fix it with hexagonal screws. When installing the door leaf, wooden blocks are required under the door leaf.



Step 4: The first door panel installation is completed

Overall installation instructions



Step 5: First, place the second door panel in the downward trajectory.

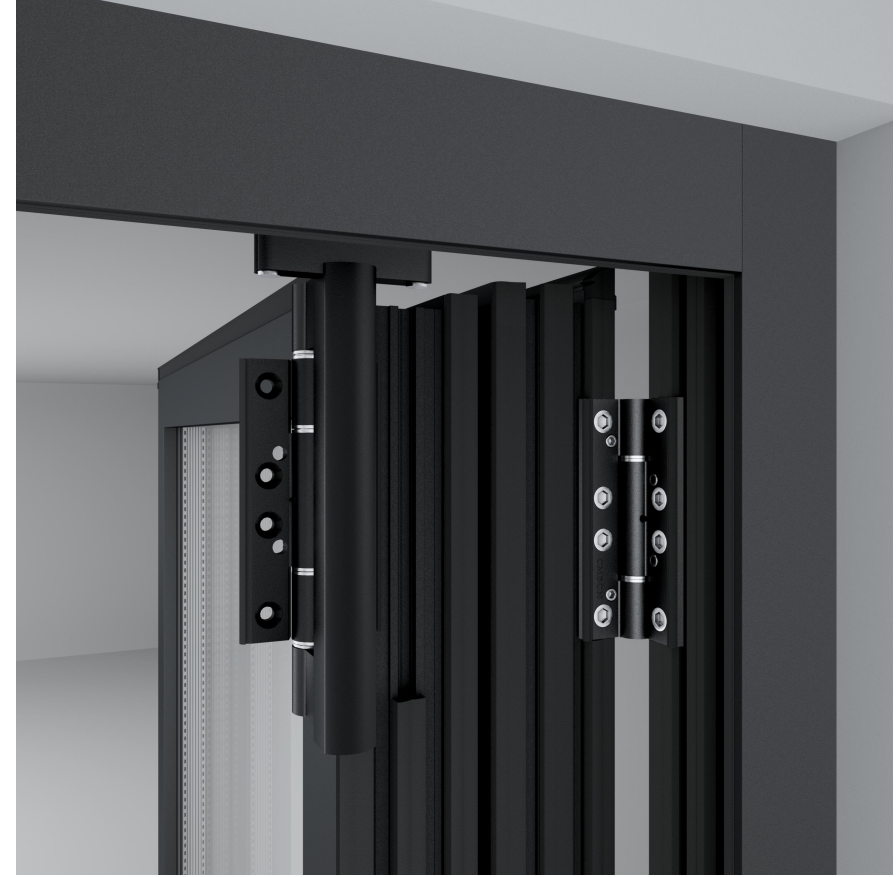


Step 6: The second door panel tilts at an angle to place the upper guide wheel into the upper track

Overall installation instructions



Step 7: The 2nd door panel installation is completed (bottom wheels)



Step 8: The 2nd door panel installation is completed (Top wheels)

Overall installation instructions



Step 9: The 1st door panel and the 2nd door panel are hingedly connected to each other



Step 10: The 3rd door panel and the 2nd door panel hinges and the upper/lower guide wheels are connected to each other

Overall installation instructions



Step 11: Install the door handle by screwing it into the corresponding hole.



Step 12: The key lock cylinder is fixed with screws

Overall installation instructions



Step 13: Install the flat handle into the installation hole of the 2nd door panel



Step 14: Use tools to fix the flat handle screws

Overall installation instructions

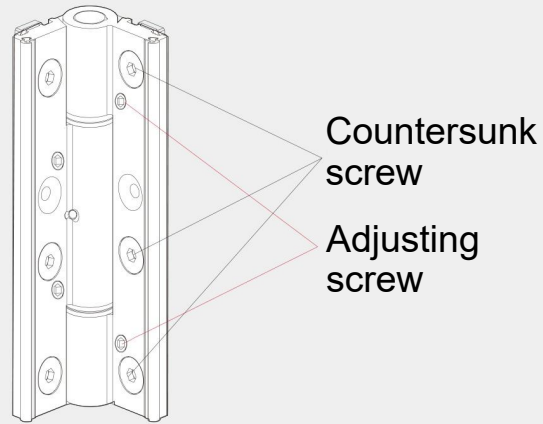


Step 15: 扁执手螺丝固定完成后，旋转执手装饰盖完成安装

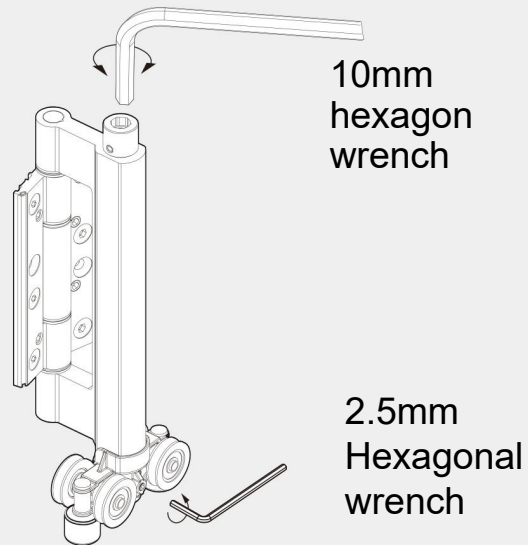


Step 16: 安装完成第二门扇扁执手的示意图

Debugging instructions

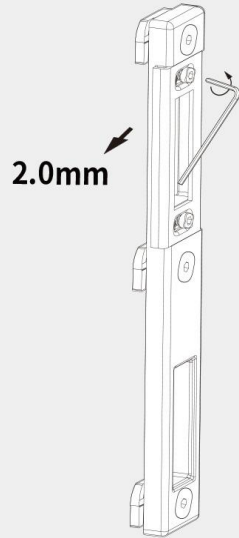


1. First loosen the countersunk screw with a 4.0mm hex wrench
2. Use a 4.0mm hex wrench to adjust the adjusting screw to adjust the left and right clearance of the door panel (clockwise to the right; counterclockwise to the left)
3. Tighten the countersunk screw with a 4.0mm hex wrench

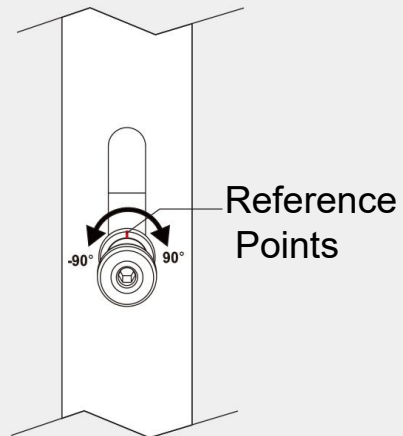


1. First loosen the locking screw with a 2.5mm hex wrench
2. Use a 10mm hex wrench to adjust the upper and lower gaps of the folding panels (clockwise rotation for upwards; counterclockwise rotation for downwards)
3. Tighten the locking screw with a 2.5mm hex wrench

Debugging instructions



1. First loosen the locking screw with a 2.5mm hex wrench
2. Adjust the locking piece in the direction shown in the figure, the adjustment amount is 2.0mm
3. Tighten the locking screw with a 2.5mm hex wrench



Use a 2.5mm hexagon wrench to fine-tune the eccentric locking point within ± 90 degrees so that it can match the lock seat.

The final ideal state is: the reference points on all locking points are basically in the same position



Welcome to contact us !

-  (818)818-6001
-  sales@Tezadoors.com
-  www.Tezadoors.com
-  4943 Telegraph Rd
Los Angeles, CA 90022

