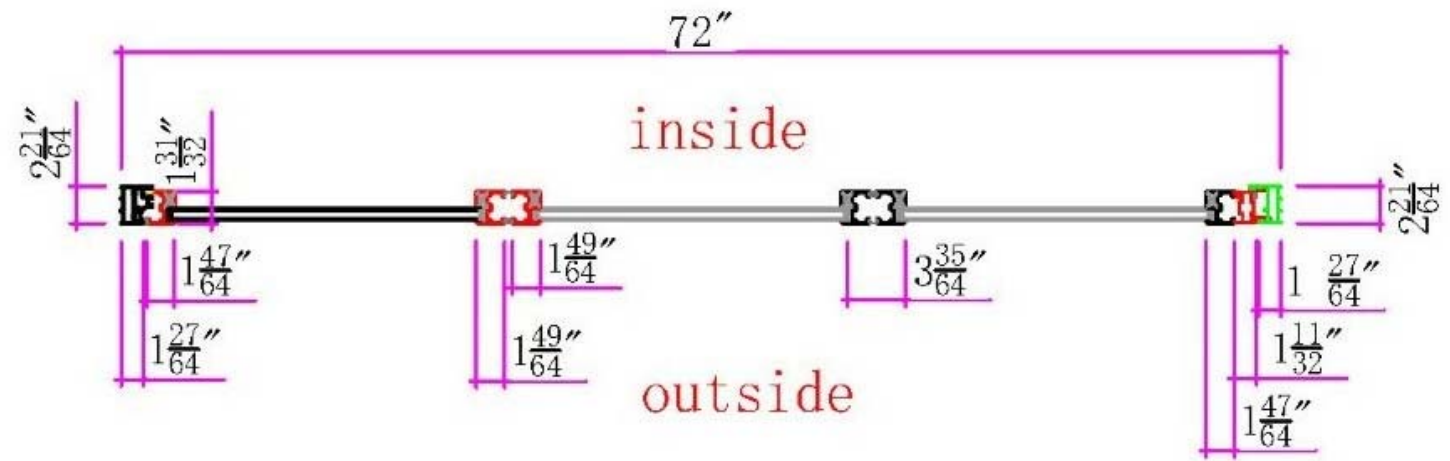
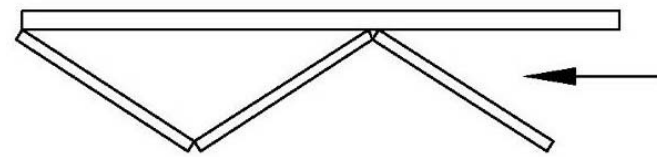
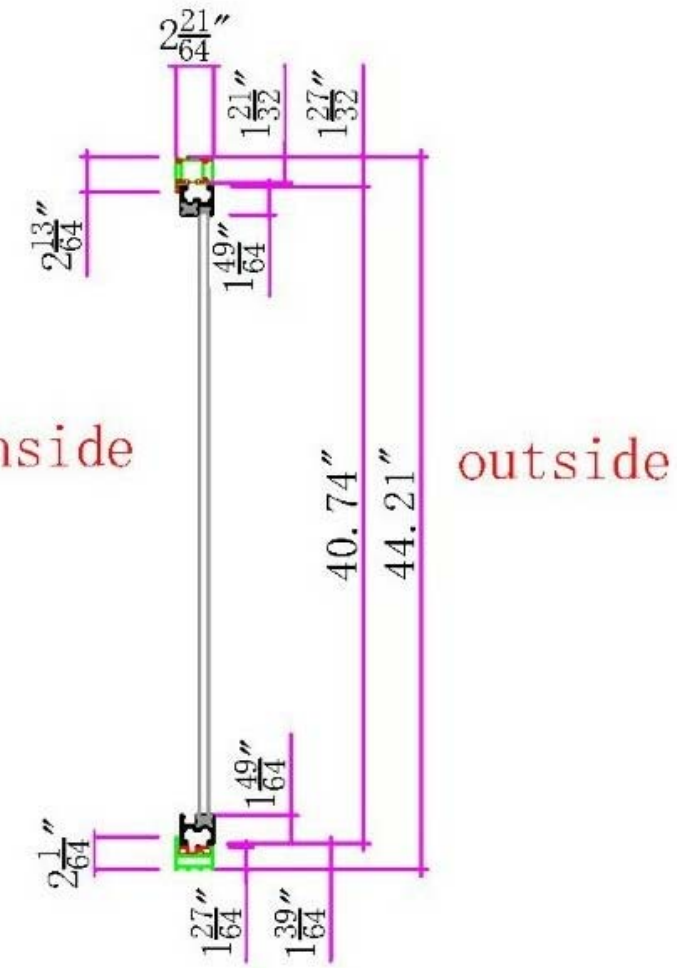


inside



inside

outside



inside

outside

TITLE 24

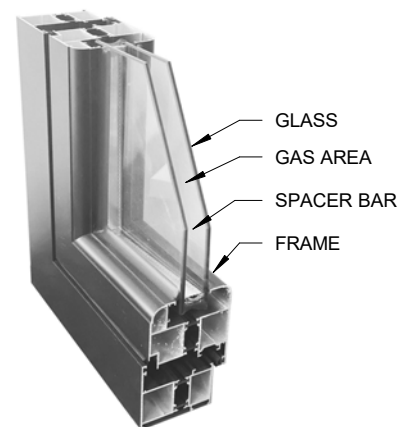
TEZA BIFOLD PATIO DOORS ARE IN COMPLIANCE WITH BUILDING CODE (TITLE 24) THAT HAS BEEN TESTED BY 3RD PARTY. CURRENTLY, WE ARE IN THE PROCESS OF GETTING COMPLIANCE WITH NFRC LAB.

SHGC RATING	U- FACTOR
0.26	0.32



GLASS DETAILS

- DOUBLE TEMPERED GLASS
- EACH PANE 5MM GLASS
- E GLASS 100% BLOCK UV
- FILLED WITH ARGON GAS
- 5MM+20A+5MM DOUBLE TEMPERED INSULATING GLASS



TEZA DOORS

20115 NORDHOFF ST  
CHATSORTH, CA 91311  
WWW.TEZADOORS.COM  
CALL: (818) 818-6001

PROJECT

DOOR TYPE

TEZA 60 SERIES FOLDING WINDOW

Notes

1. All dimensions are in feet & inches.
2. All dimensions are to be checked on site.
3. Any discrepancy between the architectural drawing and other drawings relevant for construction should be notified before commencement.