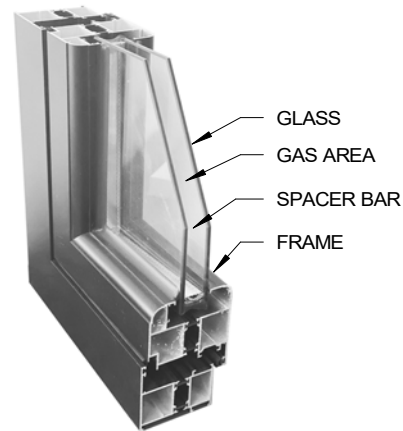


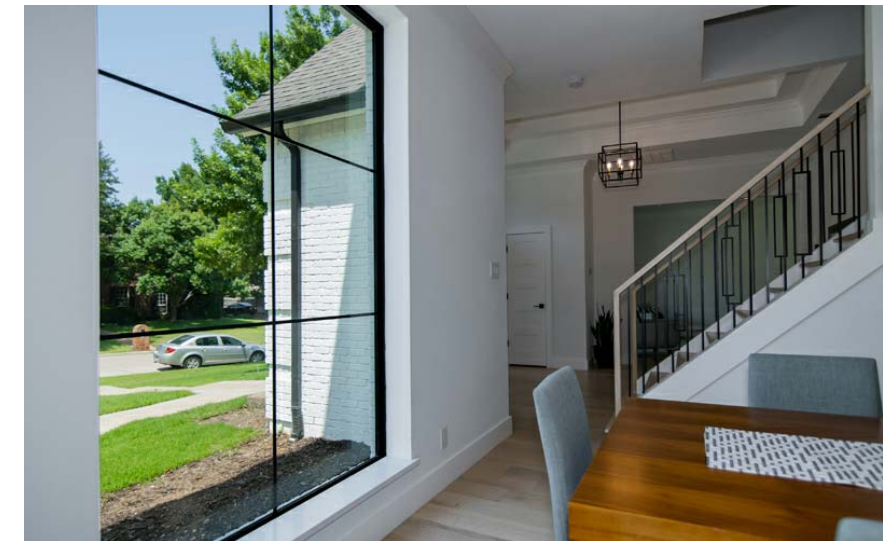
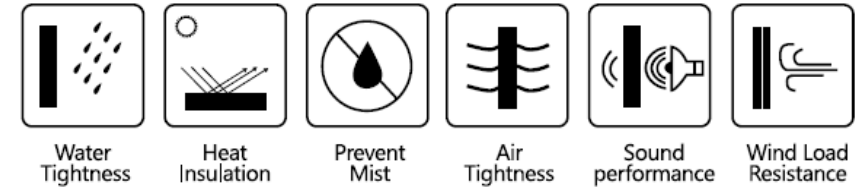
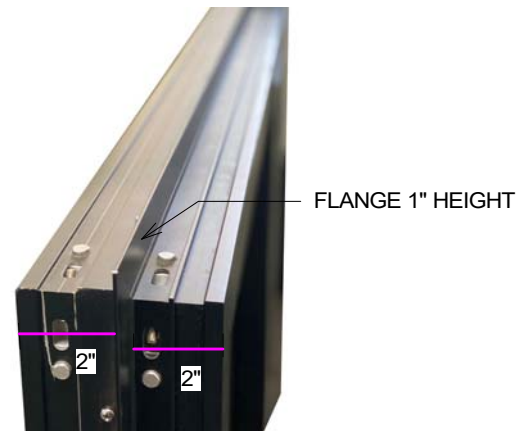
GLASS DETAILS

- DOUBLE TEMPERED GLASS
- EACH PANE 5MM GLASS
- E GLASS 100% BLOCK UV
- FILLED WITH ARGON GAS
- 5MM+20A+5MM DOUBLE TEMPERED INSULATING GLASS

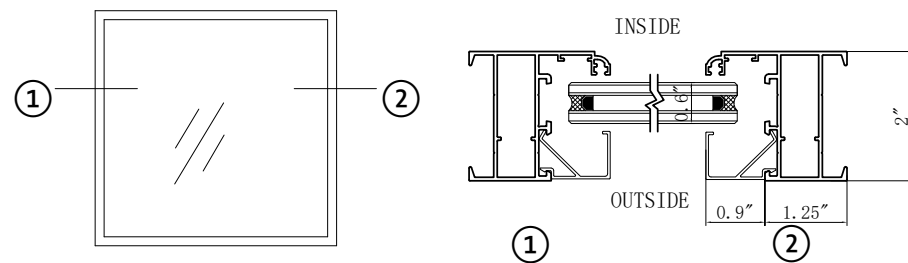


NOTE:

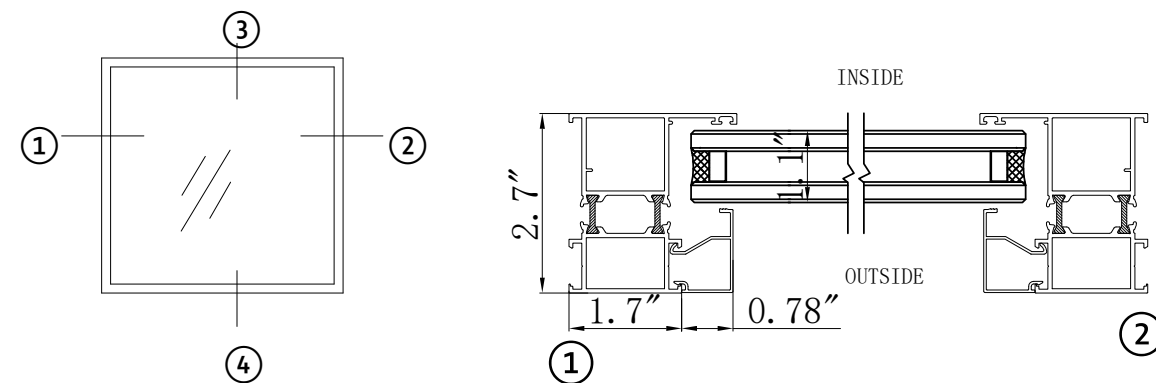
- 1- ALL TEZA WINDOW SERIES FLANGES ARE INCLUDED. THE FLANGES IS 1" HEIGHT AND INSTALLED WITH SCREW IN MIDDLE OF WINDOW FRAME.
- 2- FOR ROUGH OPENING SIZE ALLOW A MINIMUM 1/4" GAP BETWEEN THE WINDOW AND ROUGH OPENING.



TEZA 60 SERIES FIXED WINDOW (NON THERMAL BREAK)



TEZA 70 SERIES FIXED/PICTURE WINDOW (THERMAL BREAK)



**TEZA DOORS**  
 20115 NORDHOFF ST  
 CHATSWORTH, CA 91311  
 WWW.TEZADOORS.COM  
 CALL: (818) 818-6001

PROJECT

DOOR TYPE

Notes

1. All dimensions are in feet & inches.
2. All dimensions are to be checked on site.
3. Any discrepancy between the architectural drawing and other drawings relevant for construction should be notified before commencement.