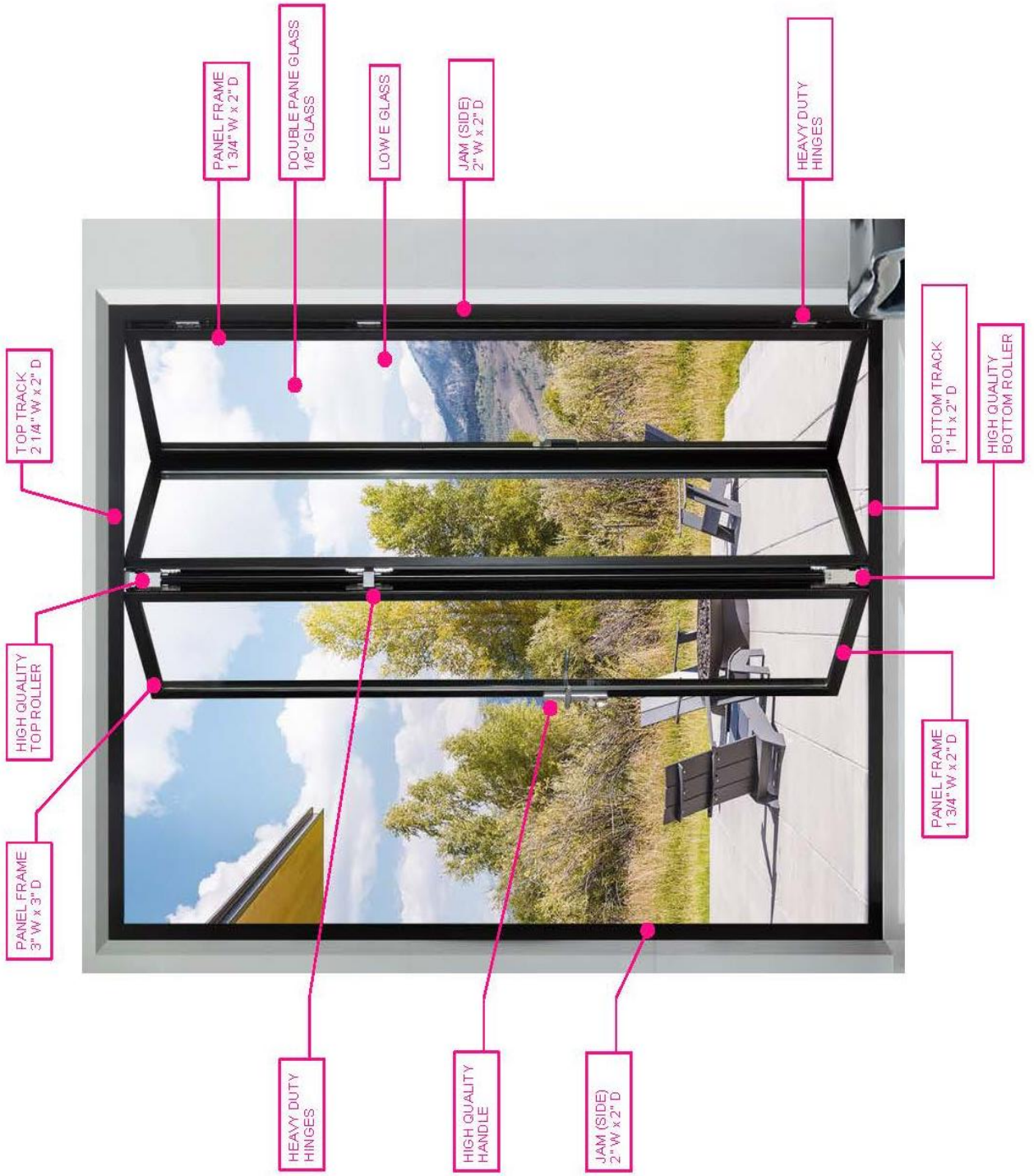




Teza Doors

Teza 60 Series Aluminum
Bi-Fold Door Installation
Guide

TEZA 60 SERIES FOLDING DOORS



Before Installation:

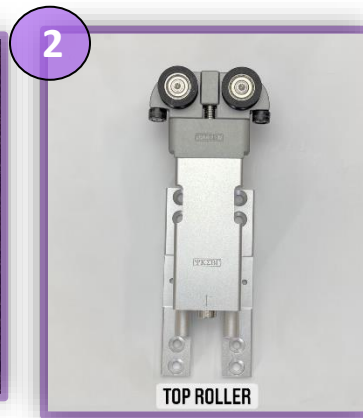
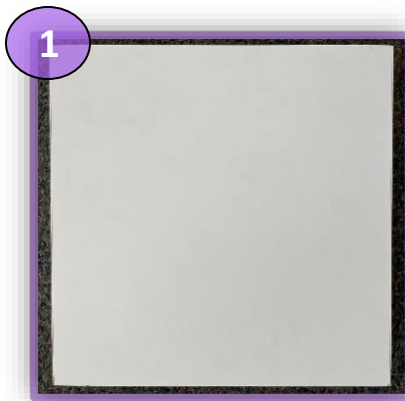
Please be sure to secure an additional ¼ in. space on each side including both top and bottom of frame.

Make sure all sides and floor are level.

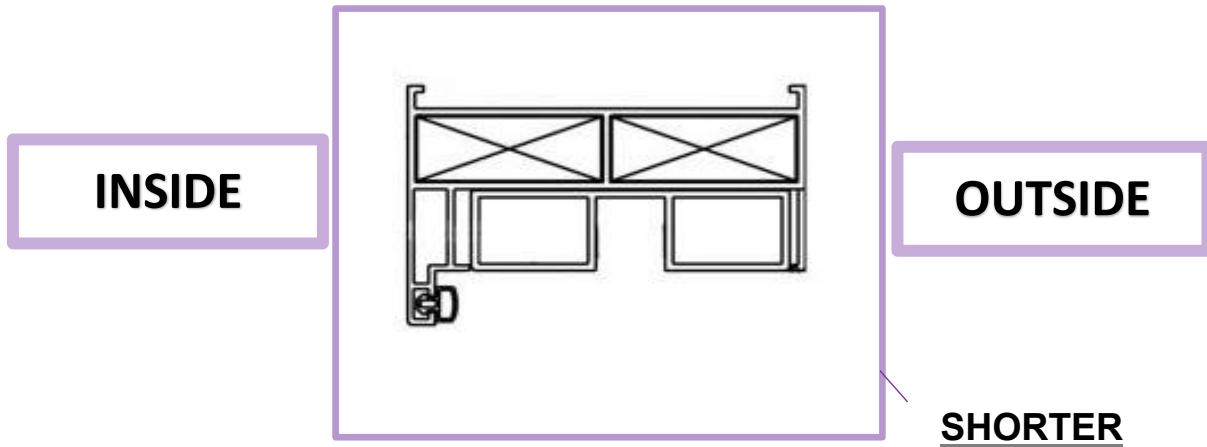
(If not level it will cause issues with opening and closing the doors as well as locking the door)

Materials

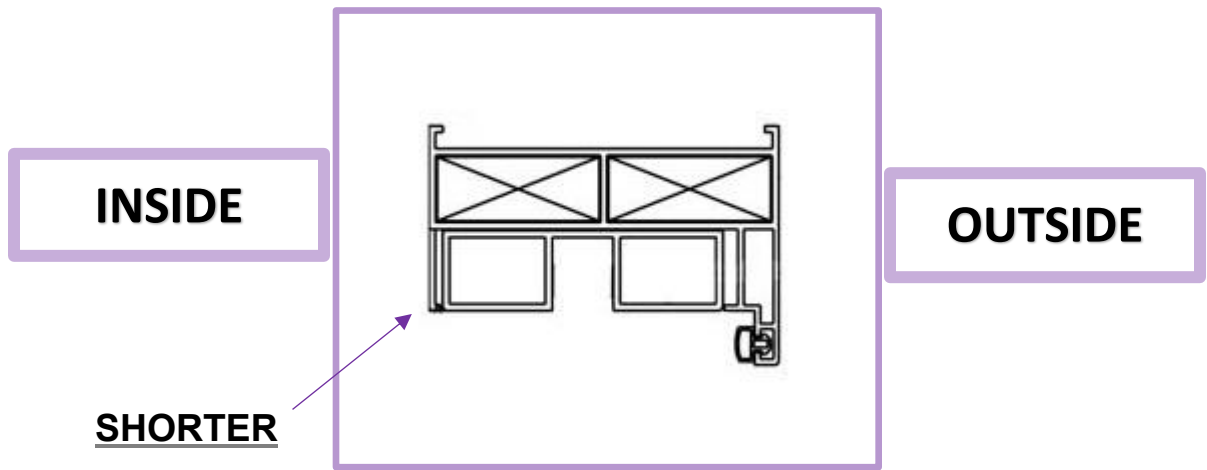
(Changes depending on number of panels)



FRAME DIRECTION FOR INSWING AND OUTSWING

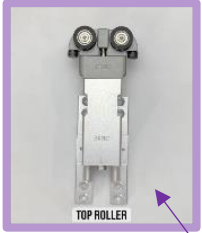


IF YOUR DOOR IS OUTSWING, SHORTER SIDE OF FRAME WILL BE OUTSIDE OF HOUSE

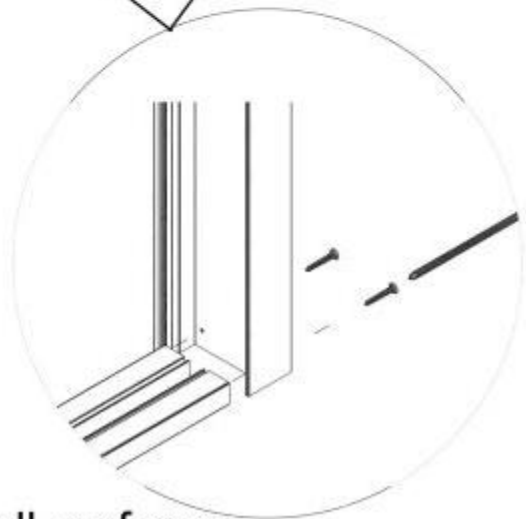
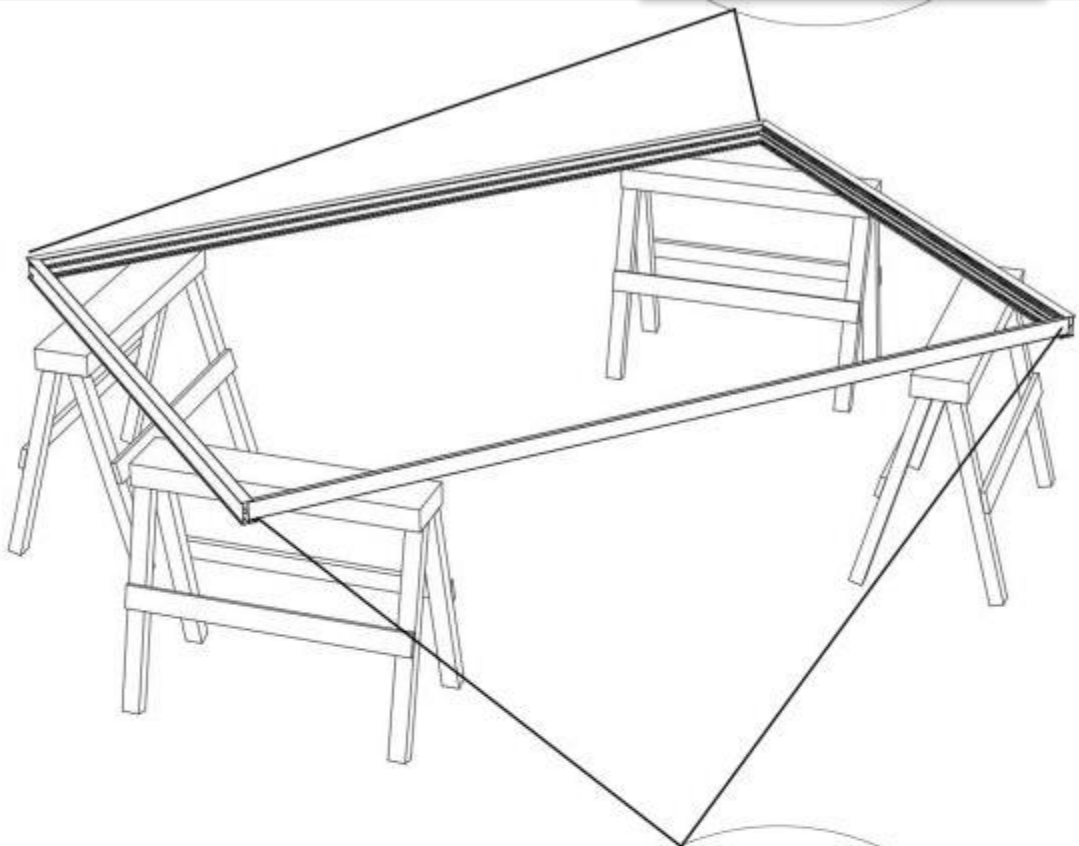
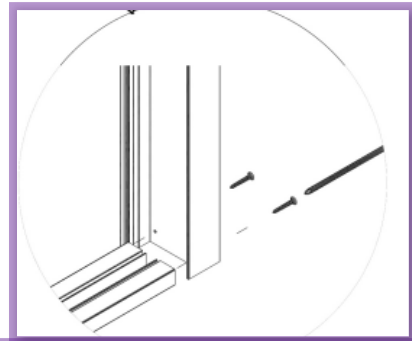


IF YOUR DOOR IS INSWING, SHORTER SIDE OF FRAME WILL BE INSIDE OF HOUSE

FRAME ASSEMBLY

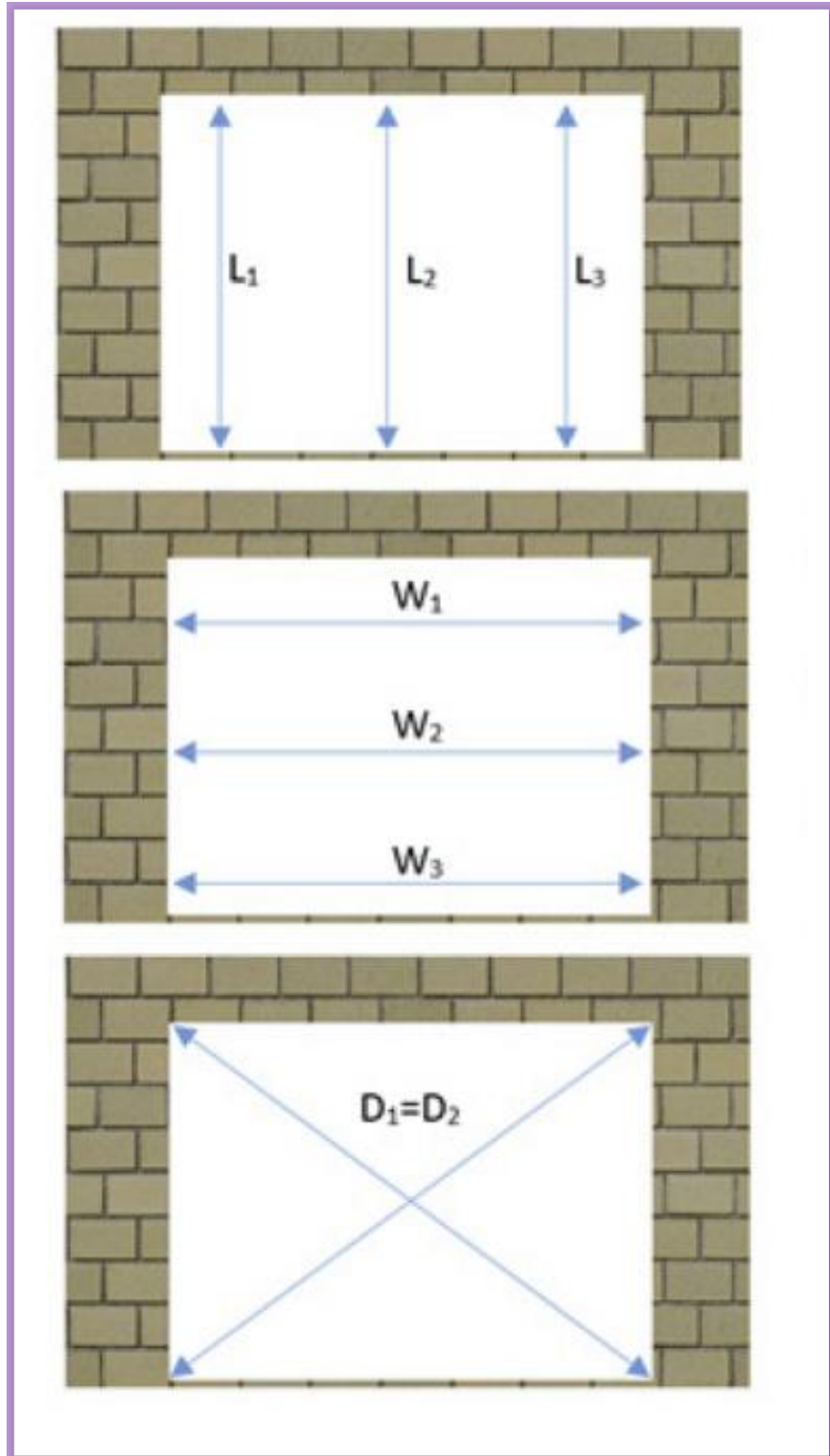


Attention:
During assembling
the frame,
The top roller must
be inserted
to top frame.



Being Careful to protect all surfaces

How to make The Rough opening on the wall



MEASURE $L_1=L_2=L_3$, $W_1=W_2=W_3$, $D_1=D_2$

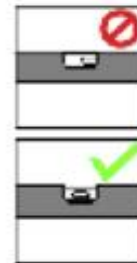
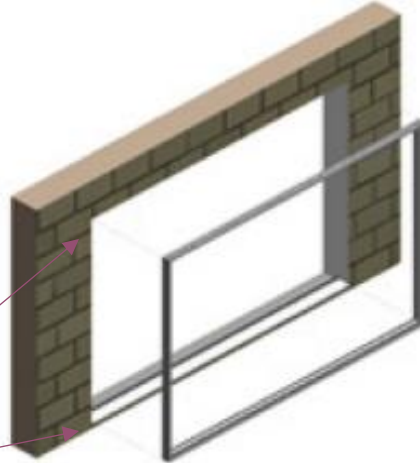
Frame Installation

Before Installation:

Please be sure to secure an additional ¼ in. space on each side including both top and bottom of frame.

Make sure all sides and floor are level.
(If not level it will cause issues with opening and closing the doors as well as locking the door)

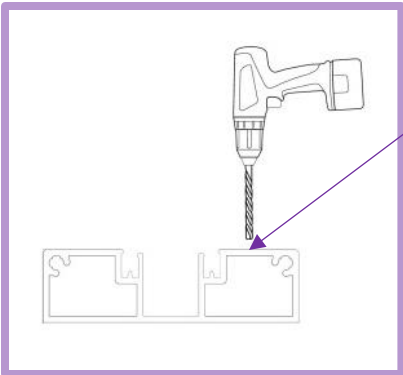
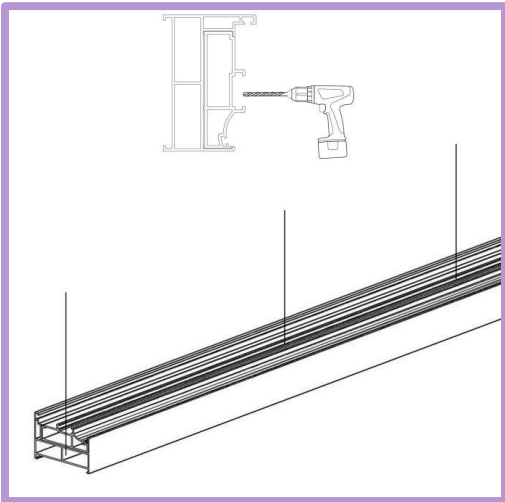
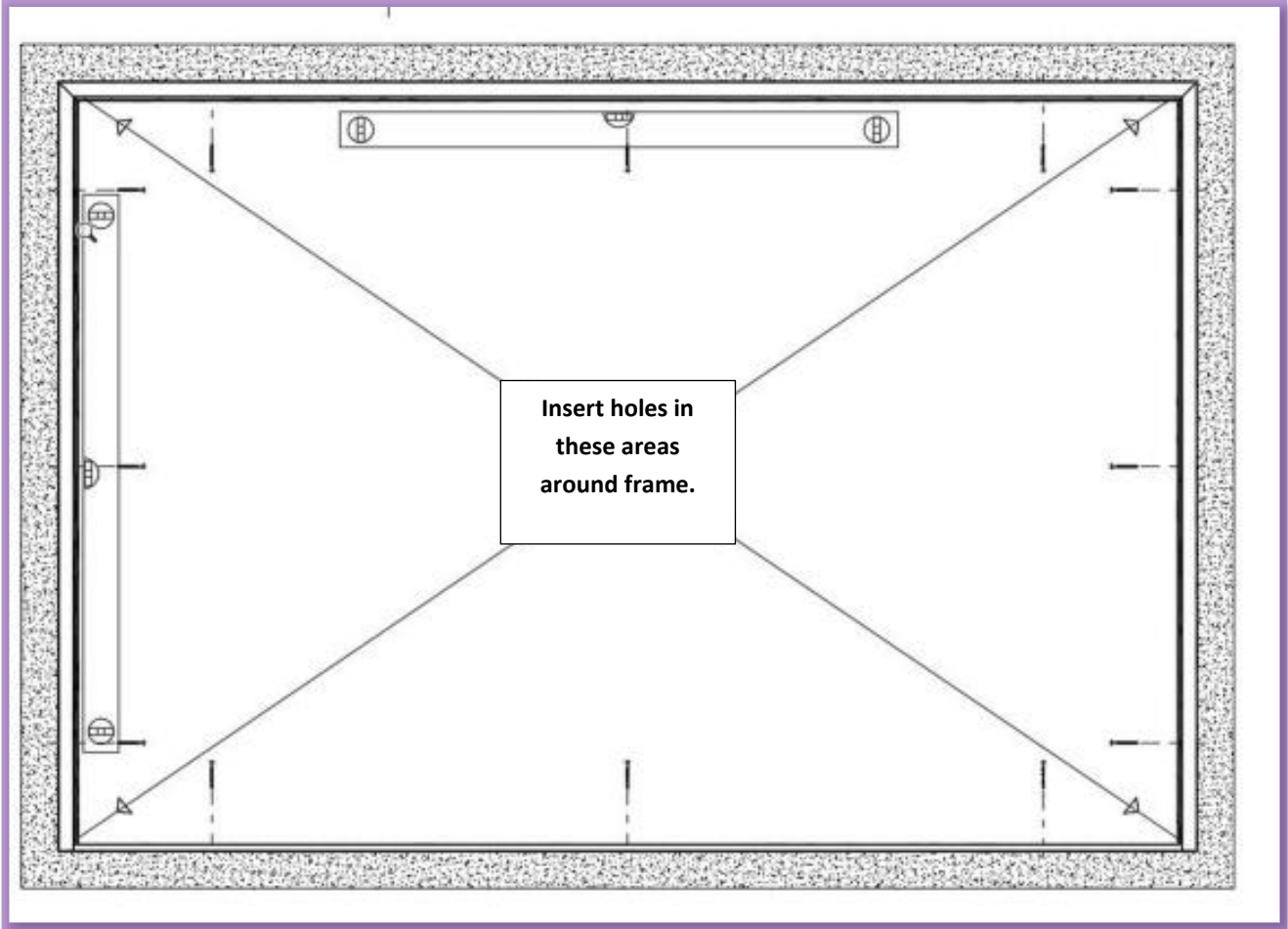
For Rough opening Secure ¼ in. space on all sides.



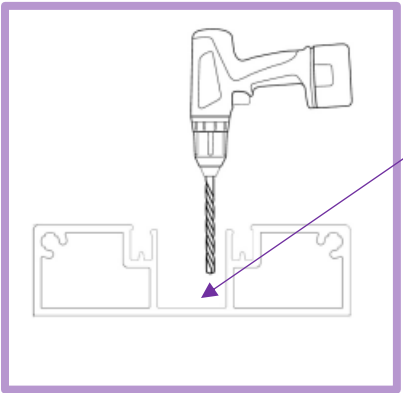
Use a Leveler to make sure all sides are level.



Frame Installation continued:

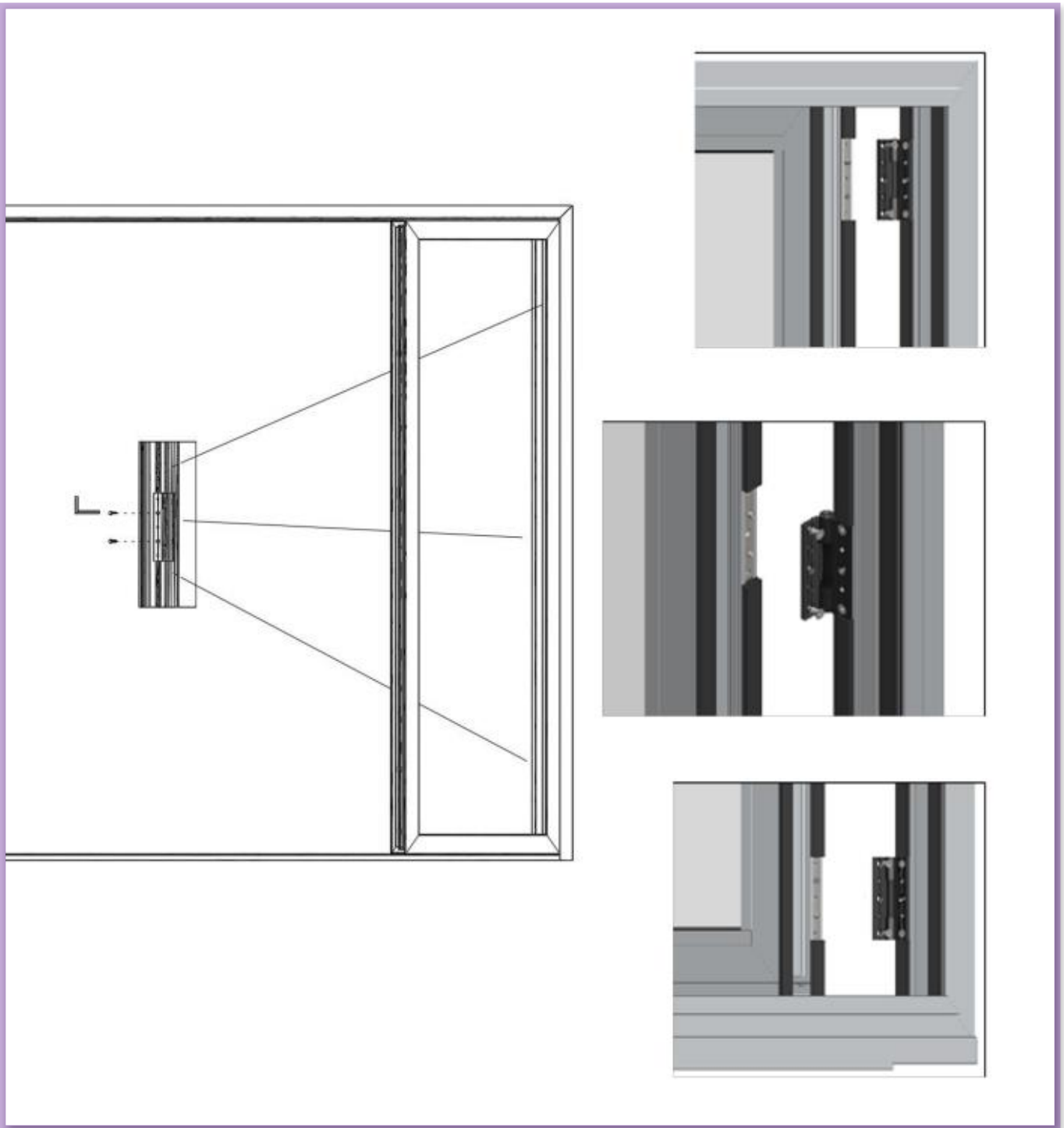


THERMAL BREAK FRAME
See Picture for reference for Thermal Break Frame holes.

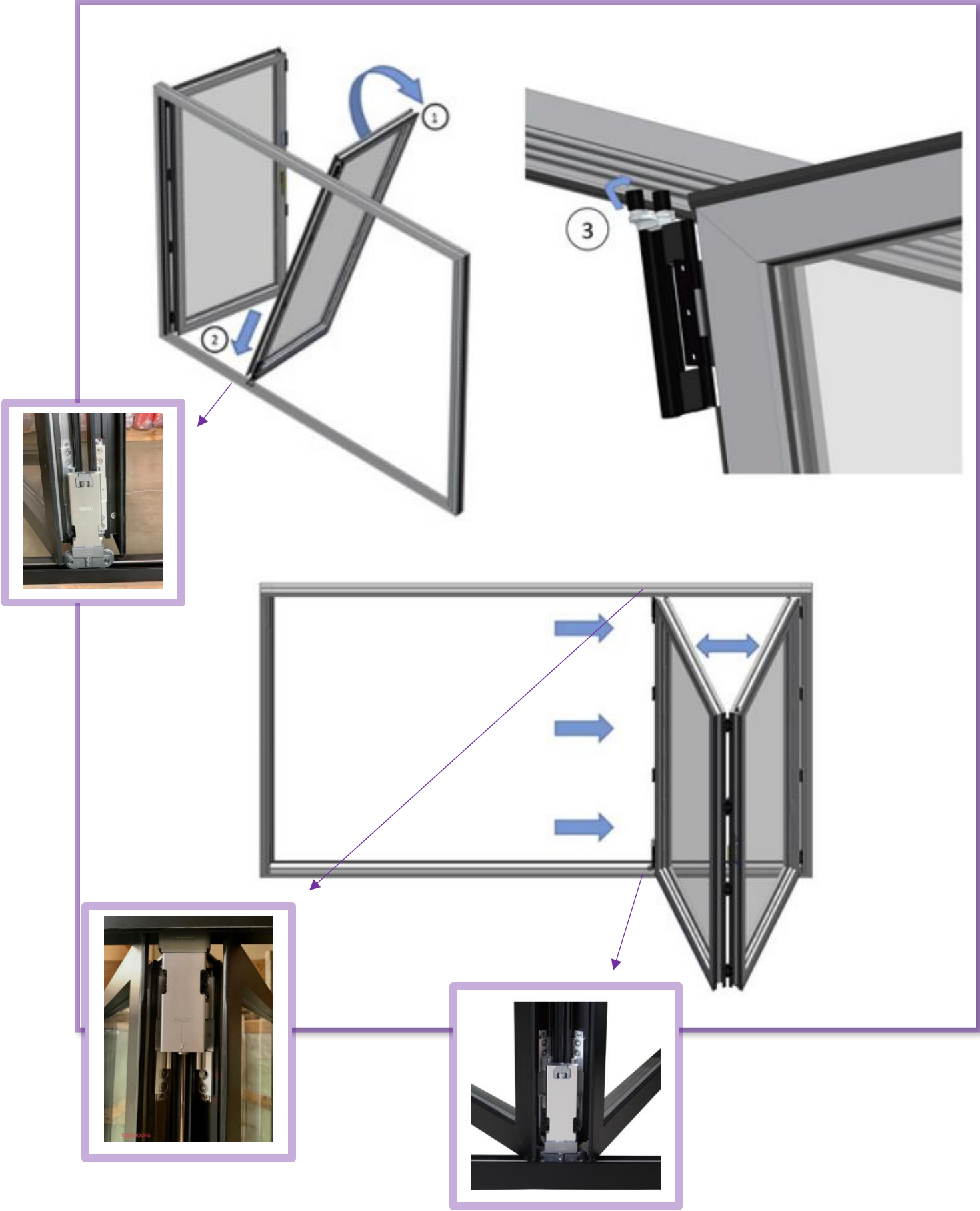


NON-THERMAL BREAK FRAME
See Picture for reference for NON-Thermal Break Frame holes.

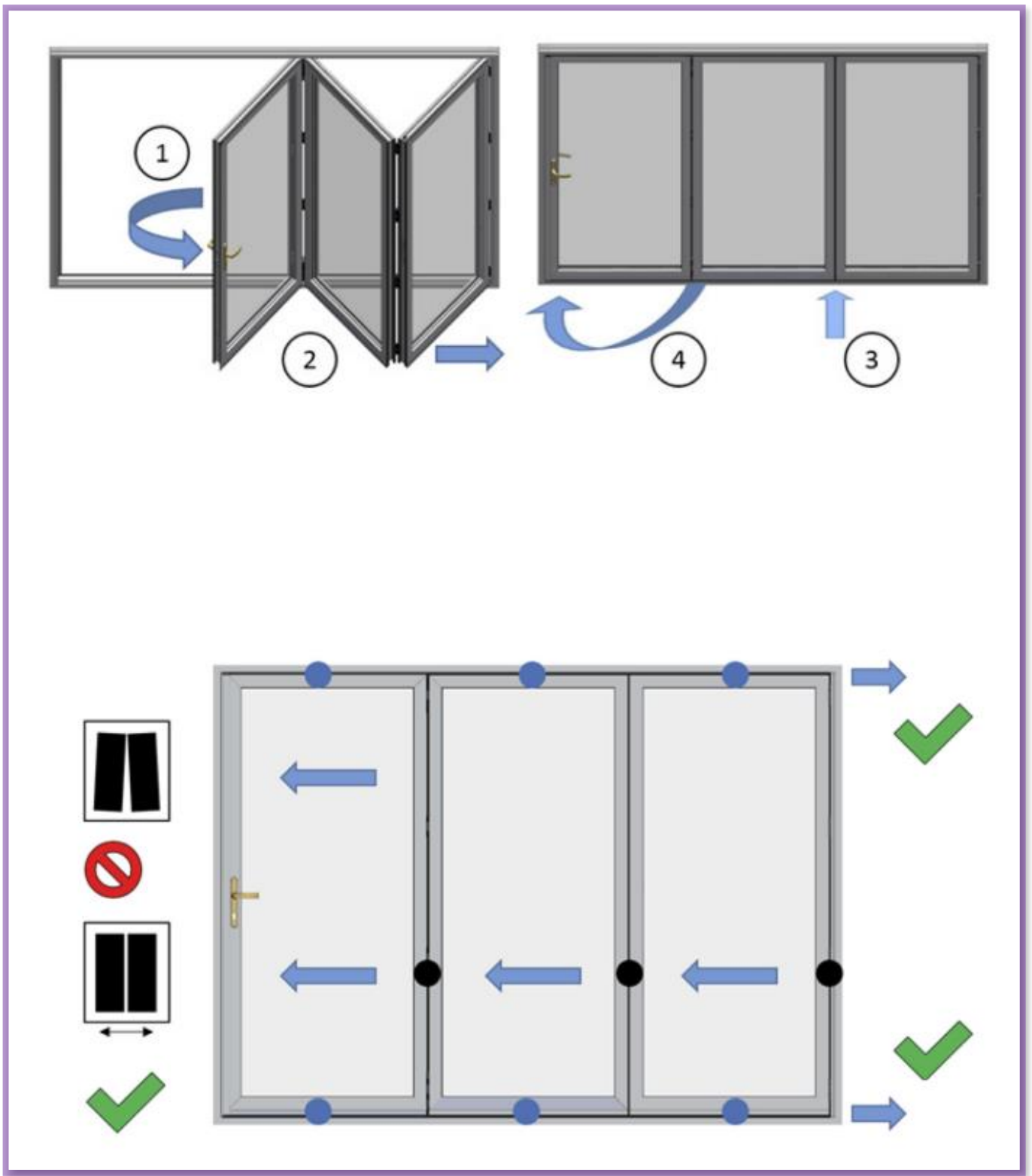
Install The Panels



Install The Panels

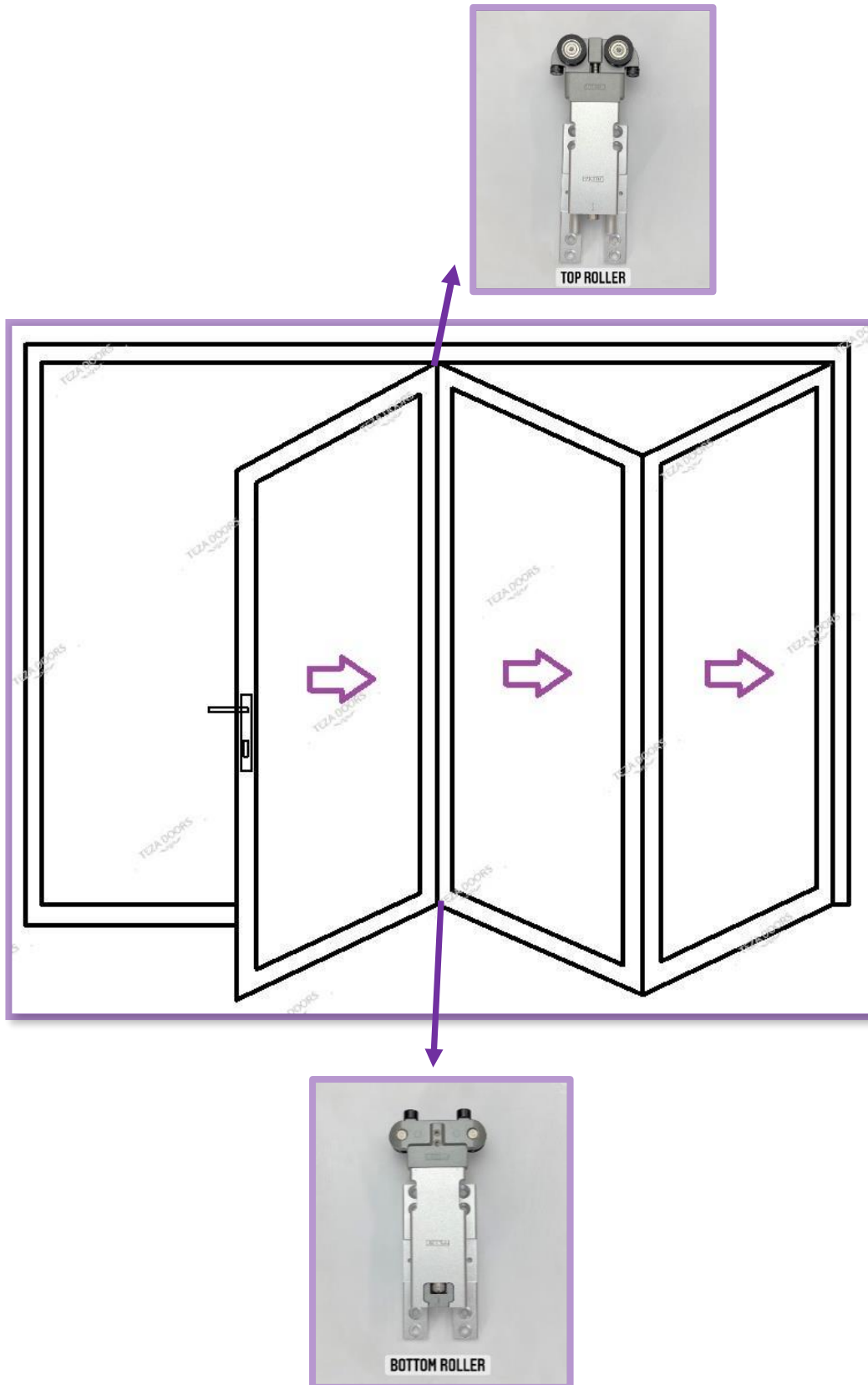


Install The Panels



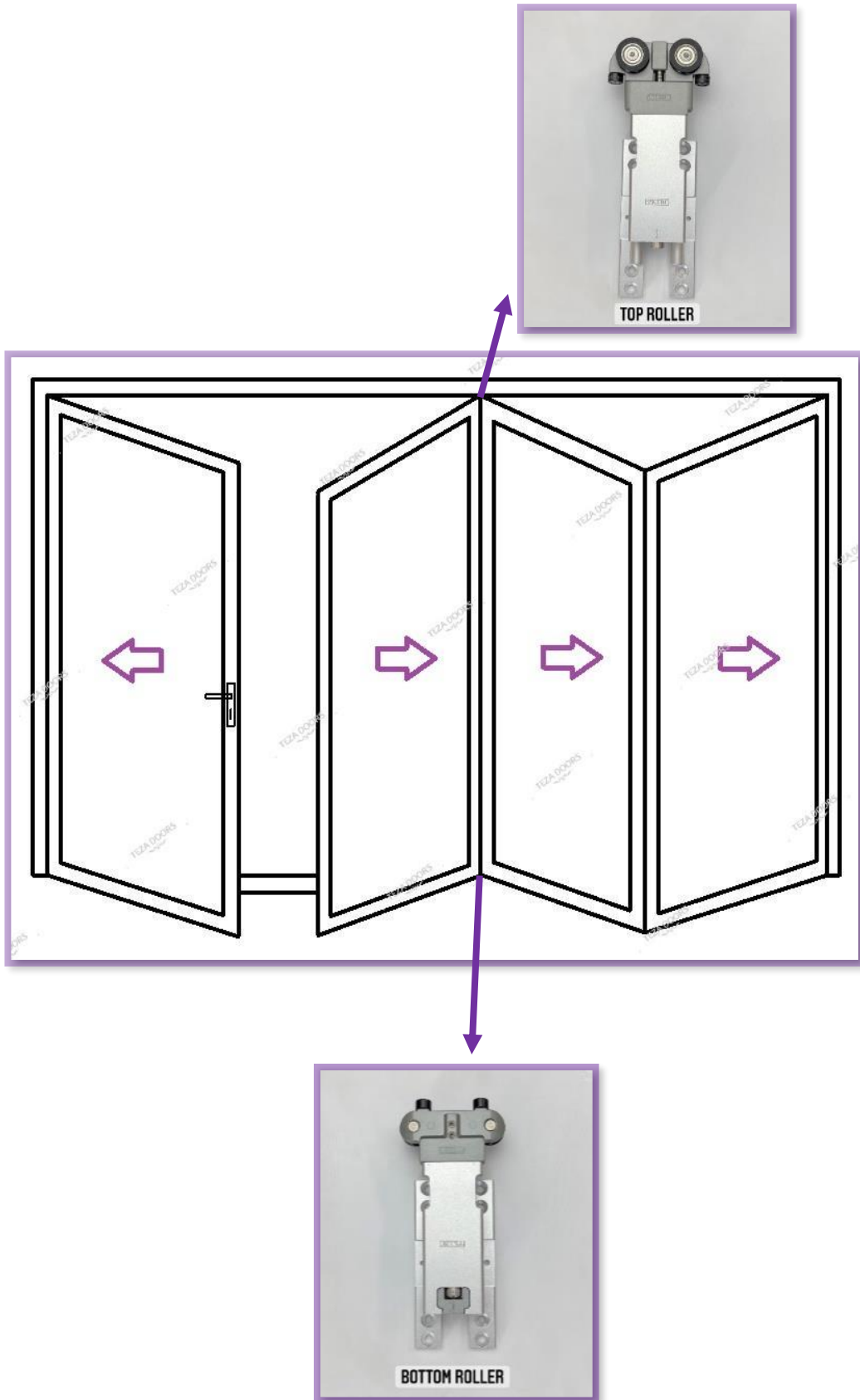
Teza Bi-Fold Door with 3 Panels

The top roller and bottom roller will be between panel 2 and panel 3



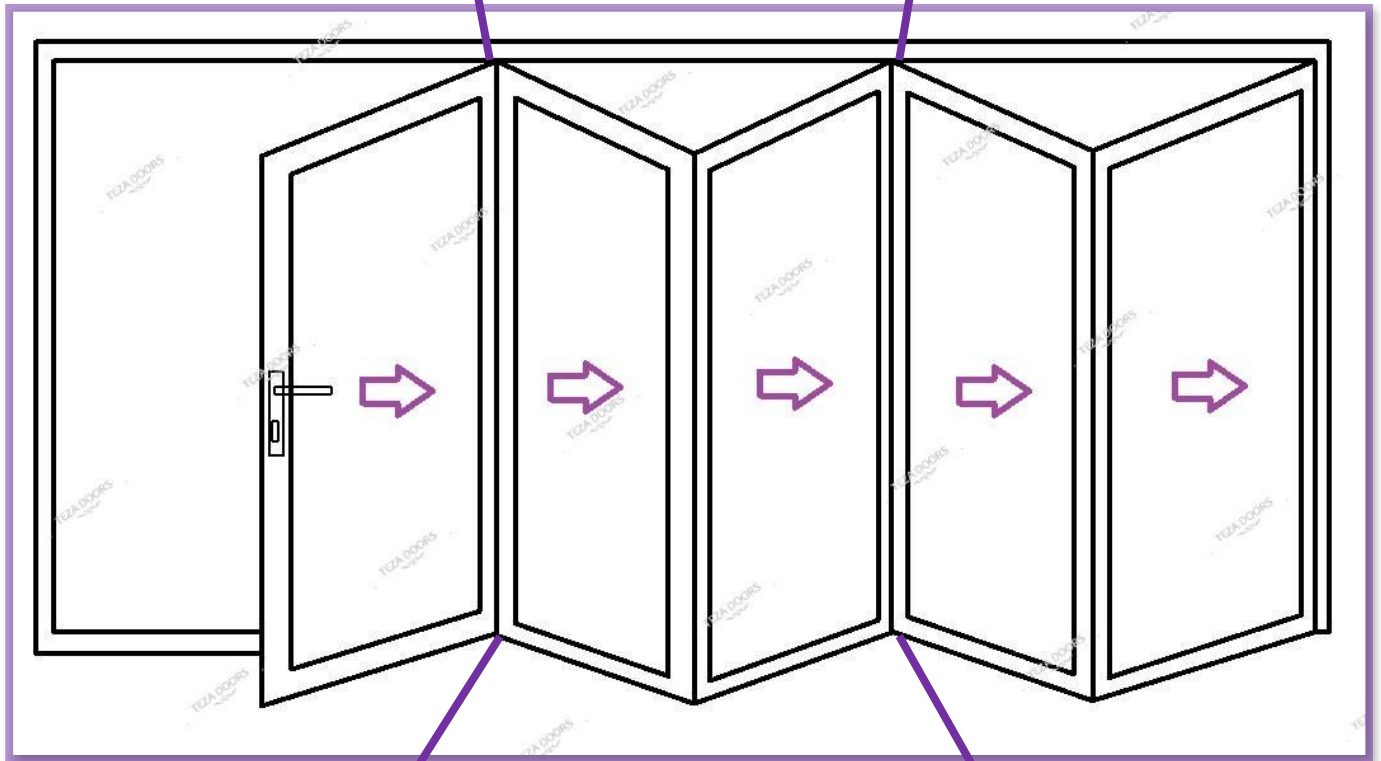
Teza Bi-Fold Door with 4 Panels

The top roller and bottom roller will be between panel 2 and panel 3

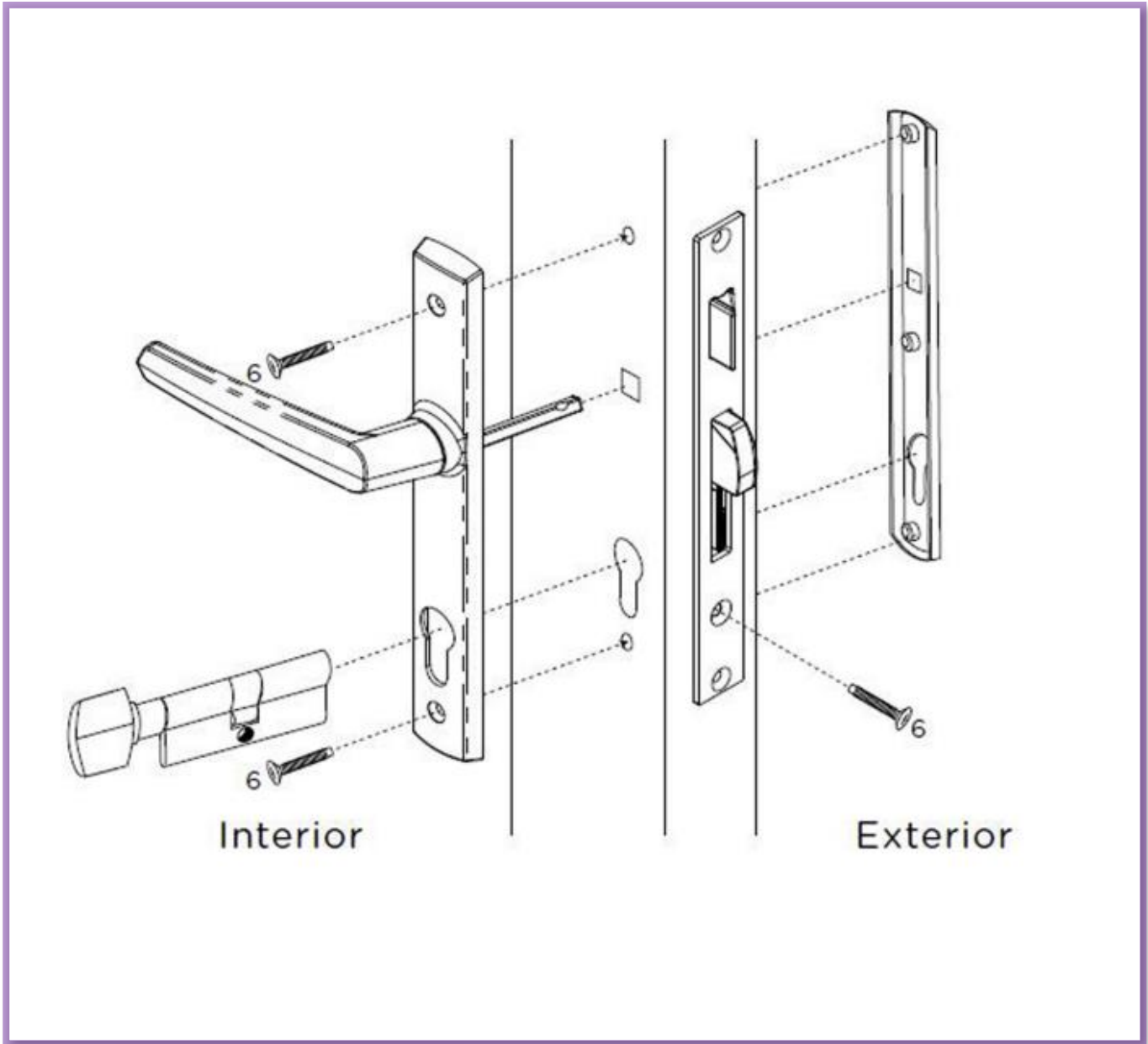


Teza Bi-Fold Door with 5 Panels

The top roller and bottom roller will be between panel 2 & panel 3 - panel 4 & panel 5



Install The Lock





Teza Doors

Contact Information:

Address:

20115 Nordhoff st. Chatsworth, CA 91311

Phone: (818) 818-6001

Email: Sales@Tezadoors.com